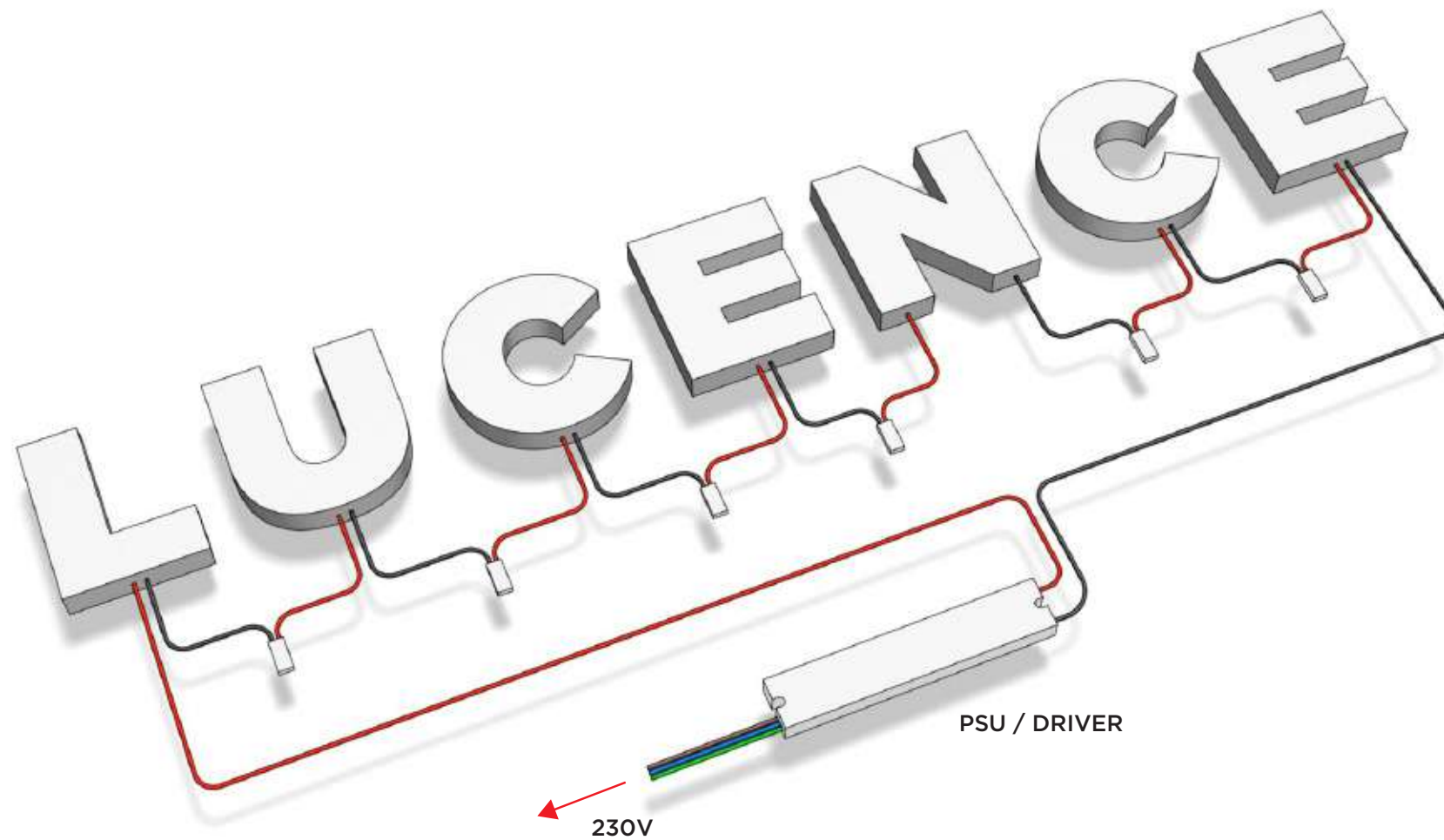


## TYPICAL SERIES CONNECTION FOR 'LUCENCE' LETTERS



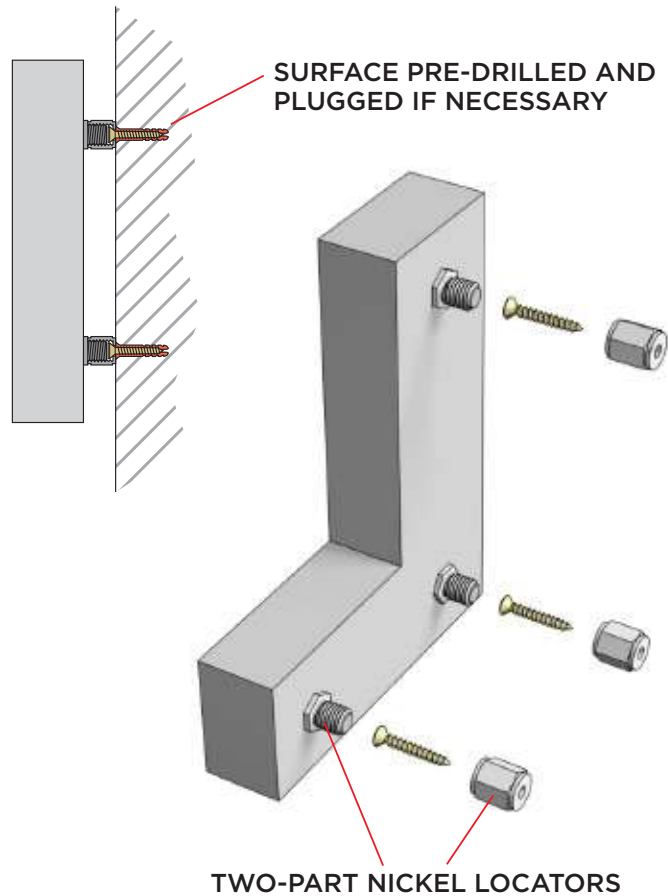
**W:** [www.lucence.co.uk](http://www.lucence.co.uk)

**T:** 01942 607 608 **E:** [sales@lucence.co.uk](mailto:sales@lucence.co.uk)

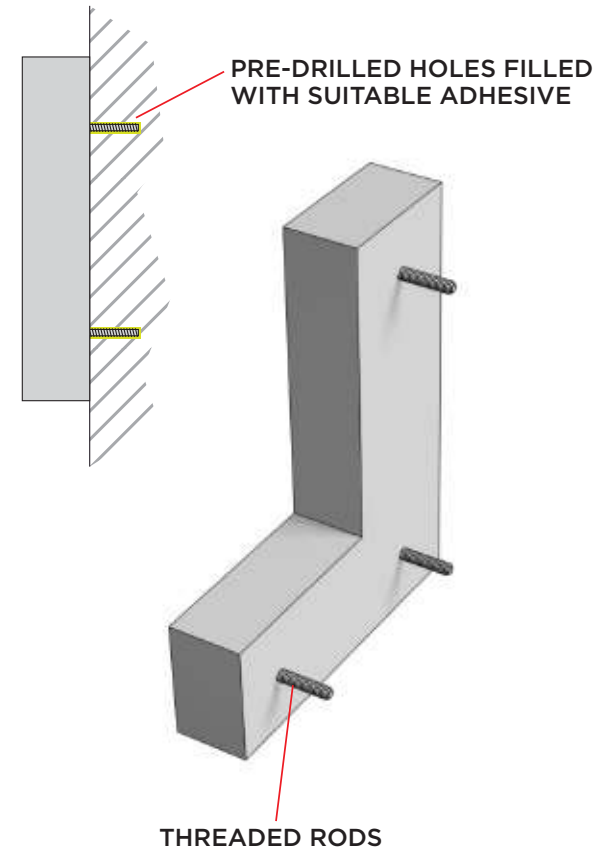


# TYPICAL FIXING OPTIONS

## 1. STAND-OFF FITTING



## 2. FLUSH FITTING



**W:** [www.lucence.co.uk](http://www.lucence.co.uk)

**T:** 01942 607 608 **E:** [sales@lucence.co.uk](mailto:sales@lucence.co.uk)

