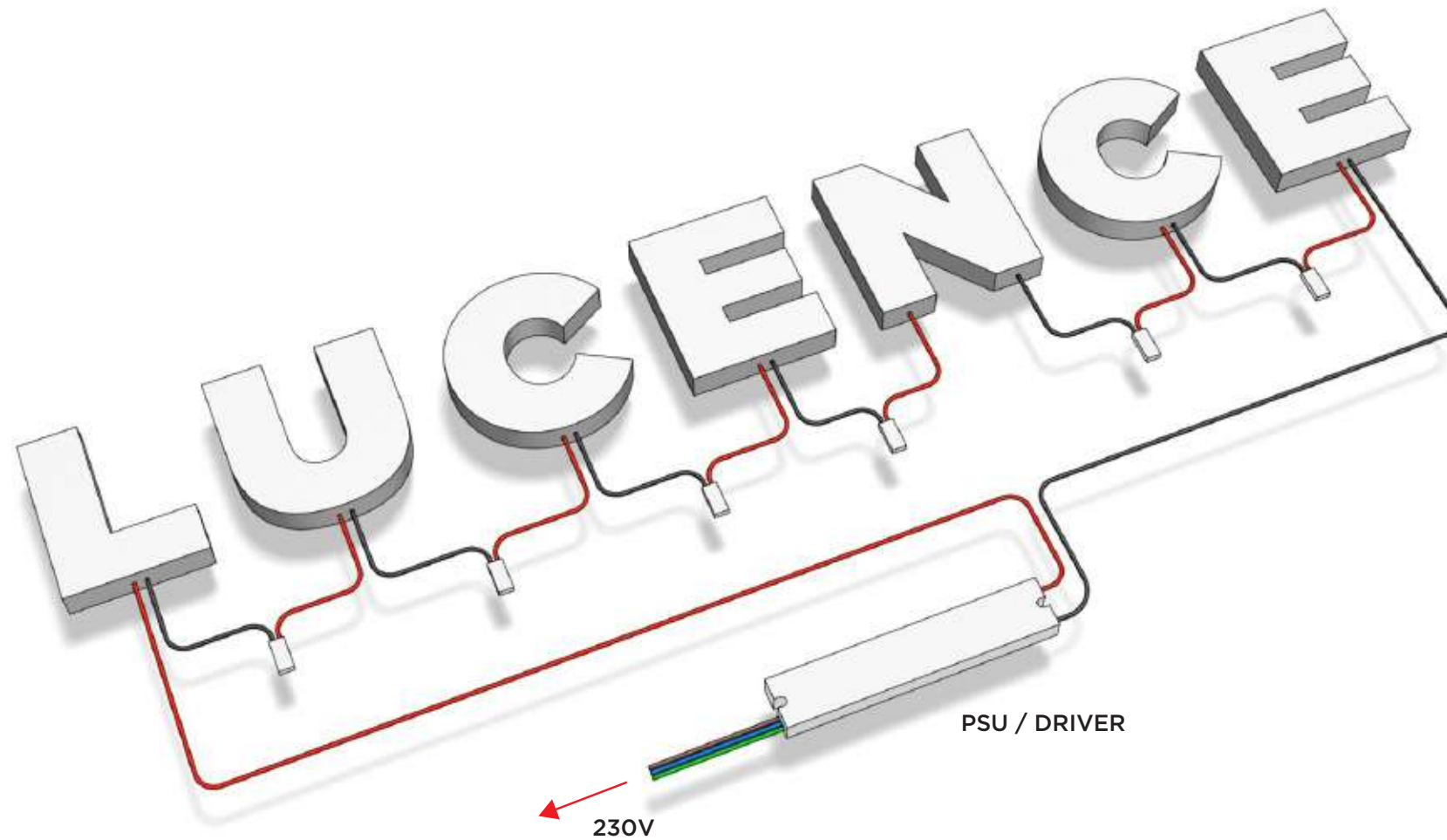
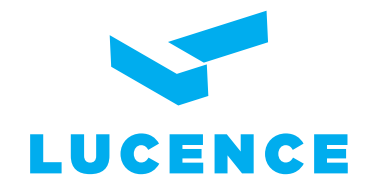


TYPICAL SERIES CONNECTION FOR 'LUCENCE' LETTERS



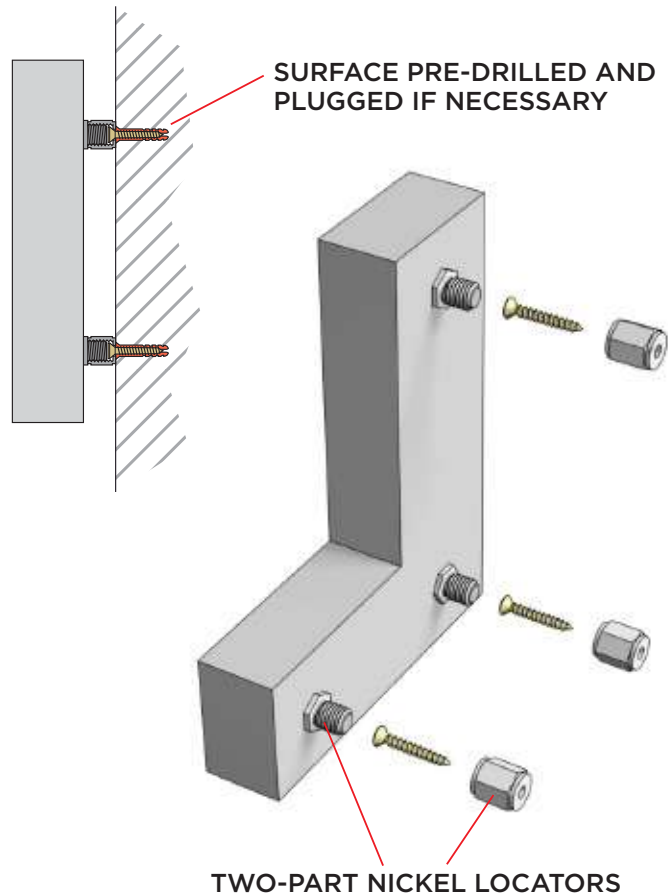
W: www.lucence.co.uk

T: 01942 607 608 **E:** sales@lucence.co.uk

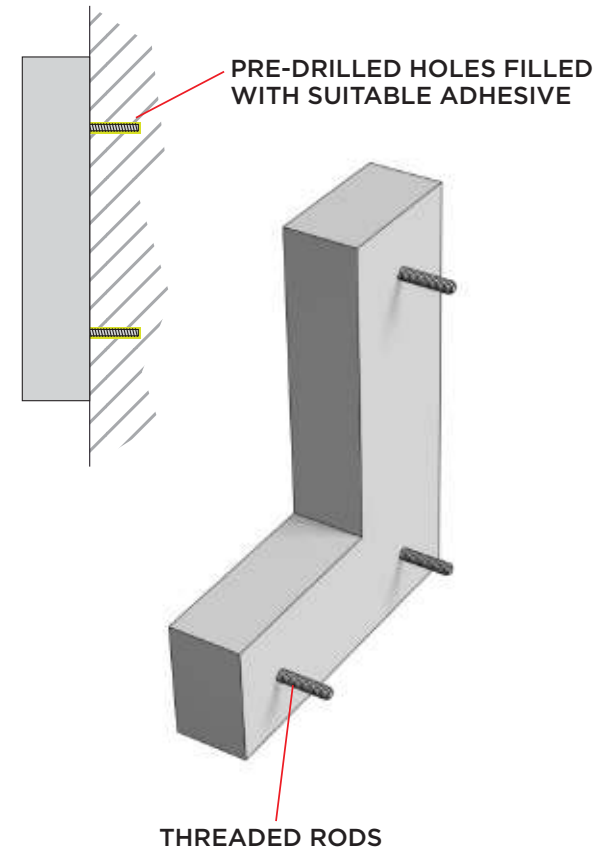


TYPICAL FIXING OPTIONS

1. STAND-OFF FITTING



2. FLUSH FITTING



W: www.lucence.co.uk

T: 01942 607 608 **E:** sales@lucence.co.uk

